



**10"-72"**  
**ELECTRONIC**  
**OPEN FLOW METERS**  
**MODEL OF12D**

**OPERATION AND MAINTENANCE MANUAL**  
**PARTS LIST**

FEATURING:

\*MODEL FC101 FLOWCOM REGISTER INDICATOR-TOTALIZER

\*CERAMIC BEARING CARTRIDGE PROPELLER

\*ONE PIECE SEPARATOR/SPINDLE AND THREADED REVERSE THRUST BEARING CARTRIDGE



3255 WEST STETSON AVENUE  
HEMET, CALIFORNIA 92545 U.S.A.

PHONE: 951-652-6811

FAX: 951-652-3078

VISIT OUR WEBSITE: [www.mccrometer.com](http://www.mccrometer.com)

## WARRANTY

This Warranty shall apply to and be limited to the original purchaser consumer of any McCrometer product. Meters or instruments defective because of faulty material or workmanship will be repaired or replaced, at the option of McCrometer, free of charge, FOB the factory in Hemet, California, within a period of one (1) year from the date of delivery.

Repairs or modifications by others than McCrometer or their authorized representatives shall render this Warranty null and void in the event that factory examination reveals that such repair or modification was detrimental to the meter or instrument. Any deviations from the factory calibration require notification in writing to McCrometer of such recalibrations or this Warranty shall be voided.

In case of a claim under this Warranty, the claimant is instructed to contact McCrometer, 3255 W. Stetson Ave., Hemet, California 92545, and to provide an identification or description of the meter or instrument, the date of delivery, and the nature of the problem.

The Warranty provided above is the only Warranty made by McCrometer with respect to its products or any parts thereof and is made expressly in lieu of any other warranties, by course of dealing, usages of trade or otherwise, expressed or implied, including but not limited to any implied warranties of fitness for any particular purpose or of merchantability under the uniform commercial code. It is agreed this Warranty is in lieu of and buyer hereby waives all other warranties, guarantees or liabilities arising by law or otherwise. Seller shall not incur any other obligations or liabilities or be liable to buyer, or any customer of buyer for any anticipated or lost profits, incidental or consequential damages, or any other losses or expenses incurred by reason of the purchase, installation, repair, use or misuse by buyer or third parties of its products (including any parts repaired or replaced); and seller does not authorize any person to assume for seller any other liability in connection with the products or parts thereof. This Warranty cannot be extended, altered or varied except by a written instrument signed by seller and buyer.

This Warranty gives you specific legal rights, and you may also have other rights which vary from state to state.

McCrometer reserves the right to make improvements and repairs on product components which are beyond the Warranty period at the manufacturer's option and expense, without obligation to renew the expired Warranty on the components or on the entire unit. Due to the rapid advancement of meter design technology, McCrometer reserves the right to make improvements in design and material without prior notice to the trade.

All sales and all agreements in relation to sales shall be deemed made at the manufacturer's place of business in Hemet, California and any dispute arising from any sale or agreement shall be interpreted under the laws of the State of California.

## OPEN FLOW METER INDEX

### I. UNCRATING

### II. INSTALLATION

1. Straightening Vanes
2. Mark
3. Measure
4. Bracket Separation
5. Attach
6. Meter
7. Propeller Position
8. Padlock

### III. METER SERVICE SCHEDULE

### IV. METER ASSEMBLY

### V. WORKING AREA

### VI. DISASSEMBLY AND INSPECTION

1. Propeller Removal
2. Reverse Thrust Bearing Cartridge
3. Water Lubrication
4. Ceramic Bearing Cartridge
5. Spindle Ceramic Sleeve
6. Separator/Support Assembly

### VII. REASSEMBLING METER

1. Propeller Installation
2. Thrust Bearing Cartridge Assembly
3. Propeller Bearing

### VIII. SENSOR AND FC101 DIGITAL INDICATOR-TOTALIZER

1. FC101 Digital Indicator
2. FC101
3. Sensor Housing
4. Replacing Sensor Housing
5. Inspect O-ring
6. Lithium Battery
7. FC101 Digital Indicator-Totalizer

### IX. PREPARATION PRIOR TO INSTALLING METER

1. Propeller Assembly
2. FC101
3. Meter Assembly

### X. ORDERING PARTS OR RETURN TO FACTORY

## MAIN LINE METER INSTALLATION

**I. UNCRATING.** When uncrating the meter, any damage due to rough or improper handling should be reported to the transportation firm and McCrometer. If, for any reason, it is determined that the unit or parts of the unit should be returned to the factory, please contact McCrometer for clearance prior to shipment. Each unit must be properly crated to prevent any further damage. The factory assumes no responsibility for equipment damage in return shipment due to improper packaging. The shipping crate contains the following items:

Open Flow Meter Assembly with	
FC101 .....	1
Mounting Equipment as required .....	-
Operation and Maintenance Manual .....	1
Tool T-2402X-1 .....	1

**II. INSTALLATION** of McCrometer Open Flow Meters can be made to any wall or vertical structure which will center the propeller in the flow measuring area. The meter must have a controlled flow measuring area and a full flow of liquid for proper accuracy. Installation is made in the following manner:

**1. STRAIGHTENING VANES** are normally not required in open flow installations. Fully opened gate valves, fittings, or other obstructions that tend to set up flow disturbances should be a minimum of ten pipe diameters upstream from the meter location. Installations with less than ten pipe diameters of straight pipe require straightening vanes. Consult factory for further information.

**2. MARK** the head wall with a line extending from the pipe centerline directly upward to be used to mount the meter support brackets.

**3. MEASURE** the distance between the propeller centerline and the underside of the lower bracket attached to the meter drop pipe. This is the same dimension as the distance between the centerline of the pipe and the location of the bolt pattern centerline for the lower bracket mounting plate. Mark the lower bracket bolt centerline on the head wall.

**4. BRACKET SEPARATION** should be determined by measuring the distance between the underside of the lower bracket attached to the meter drop pipe and the top side of the upper bracket attached to the meter drop pipe. This dimension is to determine the distance between the centerline of the lower bracket and upper bracket bolts. Mark the location of the upper bracket bolts. Mark the location of the upper bracket bolt centerline on the head wall.

**5. ATTACH** upper and lower brackets to the head wall, using the brackets themselves as drill templates. Make certain that the brackets are installed straddling the vertical centerline drawn on the head wall in step 2.

**6. METER** can now be placed carefully onto the brackets allowing the lower bracket to slide into the lower guide and then sliding the upper bracket into position.

**7. PROPELLER POSITION** should be double checked to make certain the propeller rides in the center of the pipe and is parallel to flow. Adjust brackets, if necessary, and make sure that all bolts are tightened securely.

**8. PADLOCK** can be inserted through the hasp cast into the upper bracket to eliminate unauthorized removal of the meter from the pipeline.

### **ELECTRONIC OPEN FLOW METER OPERATION AND MAINTENANCE MANUAL**

**III. MCCROMETER** products have been carefully designed to be as maintenance free as possible. Periodic preventive maintenance, however, is highly recommended and should be practiced according to schedule to assure continuous accuracy and trouble-free performance of your propeller meters. The maintenance and inspection procedure can also be used as a guide to locating a problem in the unit that may be the cause of abnormal meter operation.

Routine preventative maintenance should be performed on all meters, which includes cleaning and an inspection of the propeller and its bearing. The interval between inspections depends on the water quality and the usage of the meter. The initial inspection should be performed after one to two years of service, to determine the period between future inspections. After five to ten years, the complete meter should be inspected to ensure years of dependable service.

**IV. METER ASSEMBLY** should be removed from the service position by removing padlock, if any, from the upper bracket and lifting the meter off of the support brackets. Care should be exercised when removing the meter to avoid propeller blade damage that can occur if the propeller is bumped against the lower guide or inside of pipe during removal.

**V. WORKING AREA** chosen for disassembly and reassembly of the meter components should be clean to reduce the chance of dust or dirt particles being introduced into the propeller area.

**VI. DISASSEMBLY AND INSPECTION OF METER** should include cleaning the propeller assembly (#1), ceramic sleeve bearing separator assembly (#12), and drive magnet (#9).

**1. PROPELLER REMOVAL** can be accomplished by first removing the thrust bearing cartridge assembly (#5). Loosen the set screw (#3) in the side of the nose of the propeller. Remove the thrust bearing cartridge

(#5) by turning it counterclockwise while holding the propeller in place.

**2. REVERSE THRUST BEARING CARTRIDGE (#6)** must now be removed. Turn the propeller (#2) so that the allen wrench clearance hole is lined up with the set screw in the side of the reverse thrust bearing cartridge (#6). The location of the set screw is marked by a small hole drilled in the face of the reverse thrust bearing cartridge. With a 5/64 inch allen wrench, loosen the set screw (#7) in the reverse thrust bearing cartridge (#6) two to three turns, which will allow the cartridge to be unscrewed without damaging the spindle thread. **NOTE:** If the bearing area appears to be clogged with dirt or sediment, making it difficult to locate the set screw (#7) or to allow the allen wrench to fit into the set screw socket, then the bearing area should be flushed out with water. Insert Tool T-2402X-1 into the propeller through the threaded nose. The tabs in the tool should engage in the screwdriver slot in the end of the reverse thrust bearing cartridge (#6). Remove the propeller assembly (#1) and reverse thrust bearing cartridge (#6) by turning Tool T-2402X-1 counterclockwise unscrewing the reverse thrust bearing cartridge (#6) from the spindle (#12). The propeller assembly with reverse flow cartridge will now slide off the spindle. **WARNING:** If the reverse thrust cartridge does not unscrew easily, it may be because the set screw was not unscrewed enough. If unscrewing the reverse flow cartridge is continued with the set screw binding on spindle thread, damage to thread could occur.

**3. WATER LUBRICATION** of the ceramic sleeve bearing (#12) is achieved by means of two openings in the end of the thrust bearing cartridge (#5) which allow air to be purged from the bearing area. These should be cleared of any foreign material by running a small wire through the holes on either side of the screwdriver slot.

**4. CERAMIC BEARING CARTRIDGE (#8)** and drive magnet (#9) should be cleaned of any foreign material and inspected for damage. Using a bottle brush, thoroughly clean the ceramic bearing surface (#8) and inside diameter of the magnet (#9). After cleaning the propeller, flush the inside out with water. The outside surfaces of the propeller should also be cleaned to assure a smooth, unrestricted flow across the surface of the propeller. Do not use an oil based solvent in cleaning, as damage to the assembly could occur.

**5. SPINDLE CERAMIC SLEEVE (#12)** and the O.D. or surface of the separator (#12) should be cleaned and inspected for any substantial amount of wear. The thrust bearing (#26) should be checked for any damage. If it is determined that the spindle ceramic sleeve or separator (#12) are worn sufficiently, the separator/support spindle assembly (#12) should be replaced.

**6. SEPARATOR/SUPPORT SPINDLE ASSEMBLY (#12)** can be removed for replacement by removing the four mounting screws (#13) which thread into the gearbox. Separator O-ring (#14) should be replaced and the new O-ring (#14) covered with a thin coat of silicone grease. The separator/support spindle assembly (#12) can then be replaced in the front of the gearbox (#6) with a firm push, gently rotating the assembly at the same time. Replace and tighten the four mounting screws (#13).

## VI. REASSEMBLING METER

**1. PROPELLER INSTALLATION** is accomplished by following these steps:

a) The reverse thrust cartridge set screw (#7) should be protruding out of the reverse thrust bearing cartridge so it will not bind up on the spindle thread. **Note:** Look through the end of the propeller and hole in the reverse thrust cartridge to be sure the set screw is not showing.

b) Slide the propeller assembly onto the support spindle (#12) until the reverse thrust bearing cartridge (#6) contacts the threads on the end of the spindle (#12). Using Tool T-2402X-1, thread the reverse thrust bearing cartridge onto the spindle. If you feel any resistance when threading the reverse thrust cartridge on, stop at once and check to be sure the set screw is not binding on the thread. Be careful not to cross-thread the reverse thrust bearing cartridge.

c) Thread the reverse thrust bearing cartridge (#6) onto the spindle (#12) until the trailing edge of the propeller contacts the gearbox (#6). Set the proper end play by inserting a 5/64 inch allen wrench into the reverse thrust bearing set screw (through the side of the propeller) and loosen the reverse thrust bearing cartridge (#6) one half turn counterclockwise.

d) Tighten the set screw in reverse thrust bearing cartridge. There should be approximately .02" clearance between the gearbox (#6) and trailing edge of the propeller when the propeller is pulled forward (away from the gearbox). The propeller must not contact the gearbox.

**2. THRUST BEARING CARTRIDGE ASSEMBLY (#5)** should be inspected for damage and replaced in the nose of the propeller. The thrust bearing cartridge (#5) is used to adjust the amount of longitudinal end play of the propeller assembly on its spindle (#12), which should be about 1/64 inch. End play can be adjusted by turning the thrust bearing cartridge assembly (#5) clockwise until it tightens against the end of the support spindle (#12), then turning thrust bearing cartridge

(#5) counterclockwise 1/8 of a turn. Tighten set screw (#3). Check the longitudinal end play of the propeller to ensure it's not excessive and does not allow the propeller (#2) to contact the gearbox (#6). Check the clearance between the propeller (#2) and gearbox (#6). The clearance should be approximately .01" between the gearbox (#6) and trailing edge of the propeller when the propeller is pushed back (toward the drop pipe). The propeller assembly (#1) must spin freely.

**3. PROPELLER BEARING (#8)** can be checked for excessive radial play by rocking the propeller (#2) gently from side to side on the spindle (#12). Some play is required for proper operation of the water lubricated ceramic sleeve bearing.

## VIII. SENSOR AND FC101 DIGITAL INDICATOR-TOTALIZER

**1. FC101 DIGITAL INDICATOR (#34)** should not be removed from the meter unless battery or sensor replacement is required. If the unit must be removed, proceed as follows:

**2. FC101 (#34)** can be removed from meter head by removing the four screws (#32) then slightly lifting unit up and turning over to disconnect the 2-lead sensor wires from the bottom of the FC101. If the meter is equipped with a transmitter, the transmitter wires must also be disconnected.

**3. SENSOR HOUSING** should be removed only if replacement is necessary. It can be taken out of the separator after removing the propeller (Section VI Step 1) and the separator/support spindle (Section VI Step 6). Using an allen wrench, loosen the sensor housing set screw in the side of the sensor housing. Slide the sensor housing and wire assembly out of the separator.

**4. BEFORE REPLACING THE SENSOR** be sure the separator is dry. Slide sensor housing and wire assembly into the separator until it stops against the inside of separator. **Note:** It does not make any difference what rotation position sensor is installed, however, wire must be positioned toward back (open end) of separator. Tighten the sensor housing set screw to hold the sensor housing snugly in place. **DO NOT OVERTIGHTEN.** Feed the sensor wire up through the gearbox and out the meter head.

**5. LITHIUM BATTERY** should offer 6 to 10 years of operation. The FC101 has a low battery display that comes on when approximately six months of life is remaining. The battery should test at least 2.8 to 3.6 volts to be considered good. **NOTE: Batteries should be disposed of in an environmentally safe manner.**

**7. THE FC101 DIGITAL INDICATOR-TOTALIZER (#34)** can now be installed in one of four positions for more convenient reading with four screws (#32).

**IX. PRIOR TO INSTALLING METER**

**1. PROPELLER ASSEMBLY (#1)** should be dipped in water to lubricate the propeller ceramic sleeve bearing (#8). Spin the propeller (#2) gently to make certain the meter operates smoothly and no bind or drag is apparent.

**2. FC101 (#34)** and sensor (#15) should be checked to be sure they are connected and that the battery is good. Turn the propeller by hand at a fairly fast even speed and the indicator should display a flow rate.

**3. METER ASSEMBLY** can now be installed in the service line. When lowering the meter back onto its bracket, take care not to damage the propeller blades on the lower guide. Make certain that no foreign materials are attached to the inside of the service line pipe, as any flow disturbance or obstruction may affect the accuracy of the meter.

**X. ORDERING PARTS OR RETURN TO FACTORY**

Inspection of all meter components that may be replaced in the field has been accomplished at this point. Should any of the meter parts upon inspection, appear to be damaged or excessively worn, they must be replaced to assure proper meter operation and prevent further damage. Cost for replacement parts not covered by warranty are available from current parts and price list. If it is determined that the meter should be returned for repair, please notify McCrometer prior to shipment. Each meter must be properly packaged to prevent damage to the meter in shipment.

**NOTES**



# 10"-72" ELECTRONIC OPEN FLOW METERS

## MODEL OF12D

### PARTS LIST

No.	QTY	Part Number	Description
none	1	7-MLI1D-*	Model MLI1D Main Line Meter Head Assembly
1	1	5-2425-‡-PT	Propeller Assembly (Items 2 thru 8)
2	1	3-2425-‡-P	Propeller
3	1	1-1125-6	Set Screw, Nylon Point
4	1	1-1116-8-6	Screw, Bearing Cartridge Mounting
5	1	3-2356	Thrust Bearing Cartridge Assembly
6	1	3-2402-2	Reverse Thrust Bearing Cartridge Assembly (Items 6 and 7)
7	1	1-1101-8-5	Set Screw, Reverse Thrust Bearing
8	1	2-2426-P-1	Ceramic Bearing Cartridge
9	1	2-1601-2	Drive Magnet
10	1	1-2428-‡	Drive Magnet Retaining Plate
11	2	1-1115-3-18	Screw, Magnet Retaining Plate (each)
12	1	4-2455-2	Separator/Support Spindle Assy
13	4	1-1103-8-7	Screw, Separator/Spindle Mounting (each)
14	1	1-1551-24	O-ring, Separator
15	1	4-2730-3-‡	Sensor Housing, Sensor and Wire Assembly
16	1	2-2238-*	Gearbox
17	1	2-2731	Gearbox Backplate
18	1	1-1551-2	O-ring, Gearbox Backplate
19	4	1-1103-8-7	Screw, Gearbox Backplate Mounting (each)
20	2	2-2448	U-Bolt (each)
21	4	1-1205	Nut, U Bolt (each)
22	1	2-2447	Clamp, Lower
23	1	2-2445	Wall Mounting Bracket, Lower
24	1	2-2446	Clamp, Upper
25	1	2-2444	Wall Mounting Bracket, Upper
30	1	1-1707-19 /-20	InLine Terminal (19) 2 Wire (-20) 3 Wire For Remote
31	1	1-1551-38	O-Ring - 243 Buna
32	4	10605	Screw 10-32 x 1.25" Long
33	1	FC101-M	Magnet Wand
34	1	FC101-*	FC101 Flowcom Ind.-Tot. & Bonnet Complete - See IOM Manual
none	1	10015-00K	Desiccant Bag

**When ordering replacement parts, please specify: ● Meter Size ● Meter Model Meter ● Serial Number**

\* INSERT METER SIZE TO COMPLETE PART NUMBER - FOR EXAMPLE: INSERT -10 FOR 10", -12 FOR 12", ETC.

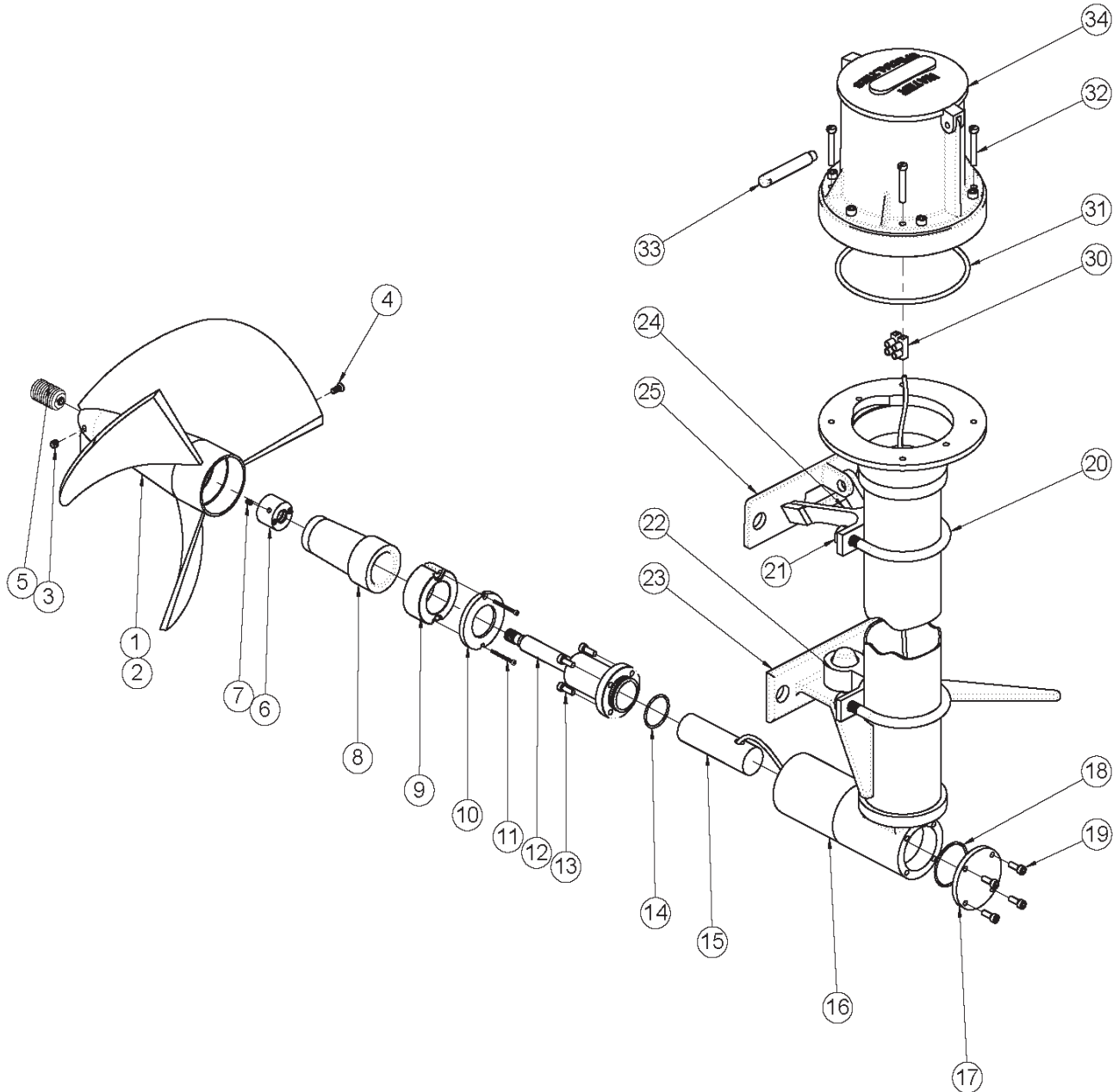
‡ CONSULT FACTORY TO COMPLETE PART NUMBER.

**CONSULT FACTORY FOR PRICING.**



**10"-72" ELECTRONIC OPEN FLOW METERS  
MODEL OF12D**

- \* MODEL FC101 DIGITAL INDICATOR-TOTALIZER ASSEMBLY**
- \* CERAMIC BEARING CARTRIDGE PROPELLER**
- \* THREADED SPINDLE AND REVERSE THRUST BEARING CARTRIDGE**



References to 26-29 not used.

**WARNING:**

**BEFORE REMOVING THE METER FROM THE PIPELINE THE WATER MUST BE TURNED OFF AND PRESSURE MUST BE RELIEVED FROM THE LINE. SERIOUS INJURY CAN RESULT FROM REMOVING A METER HEAD UNDER PRESSURE.**