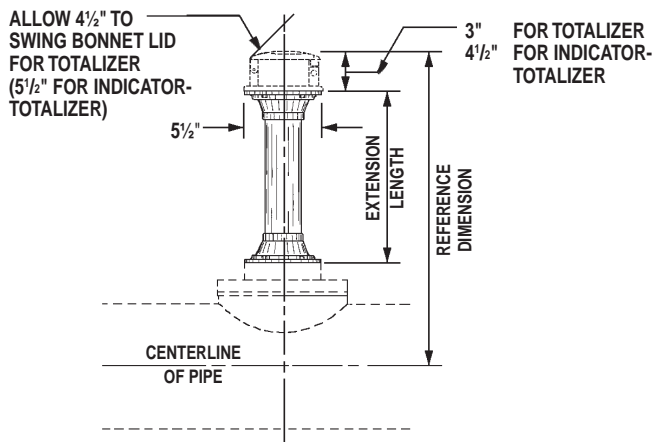




**MODEL CN02**  
REGISTER EXTENSION



DESCRIPTION

**MODEL CN02 REGISTER EXTENSIONS** are for use on installations to raise the meter totalizer, indicator-totalizer, or transmitter to a height that is more convenient for taking readings or making connections to transmitter outlets. The extensions are available for any size or model of our meter line.

**INSTALLATION** is normally made at the factory when the meter is assembled, but installation may be made in the field by removing the existing unit, attaching the extension drive clevis to the top of the meter vertical shaft, attaching the register extension to the top of the meter head, and installing existing unit on the top of the extension. The extension is furnished complete with all screws and o-rings necessary for installation. For extensions above five feet a support with shock absorption is recommended.

**CONSTRUCTION** of the register extension features an all bronze, water tight housing. The extension includes shaft guides, depending upon length, that prevent shaft whip during meter operation, and a shielded precision stainless steel bearing to support the upper shaft tip.

**O-RING SEALS** are used at all points where seals are required, making the register extension completely immune to any of the corrosive effects of atmospheric moisture or the liquids measured by the meter assembly.

SPECIFICATIONS

**MATERIALS** Used in construction are chosen to minimize the corrosive effects of the liquids measured by the meter assembly.

**MINIMUM FLOWS** Shown for any standard meter will be 20% higher when a Model CN02 three feet long or less is mounted to it. The minimum flow will be doubled for extensions over three feet long.

**SHIPPING WEIGHT** 7 lbs. plus 3 lbs. per foot for length of extension.

**ORDERING INFO** Must be specified by the customer and includes:  
Extension length or reference dimension on new meter orders  
Meter size, model number, serial number and type of totalizer on existing unit.



3255 WEST STETSON AVENUE  
HEMET, CALIFORNIA 92545 USA

TEL: 951-652-6811

FAX: 951-652-3078

Visit our Website: [www.mccrometer.com](http://www.mccrometer.com)

Copyright © 2007 McCrometer. All written material should not be changed or altered without permission of McCrometer. The published technical data and instructions are subject to change without notice. Contact your McCrometer representative for current technical data and instructions.

AUTHORIZED DISTRIBUTOR

