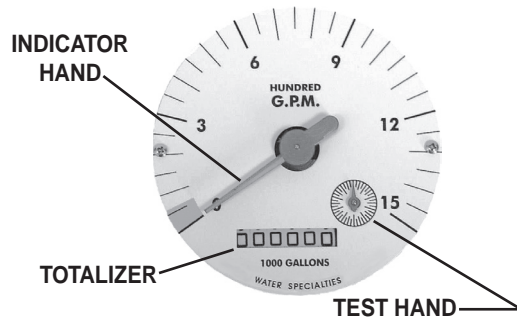




MODEL OF12
 OPEN FLOW METER
 SEALED METER MECHANISM - MAGNETIC DRIVE
 INDICATOR - TOTALIZER
 SIZES 10" thru 72"



TYPICAL 4" DIAL
 INDICATOR-TOTALIZER



DESCRIPTION

MODEL OF12 OPEN FLOW METERS are designed for accurate metering of ditch turnouts, reservoir outlets, closed conduits, or other similar installations. The rigid, light weight construction and simple installation allow easy removal for winter storage or transfer to other locations. The upper mounting plate is equipped with a padlock hasp. The lower bracket has suitable guides for easy installation. An optional revolving mounting bracket, with padlock hasp, is also available. The revolving mounting bracket allows the meter assembly to be raised approximately 2 inches permitting the column to be rotated 180 degrees and easily withdrawn. The revolving mounting bracket is ideal when high velocity flow conditions exist.

INSTALLATION can be made to any wall or vertical structure which will center the propeller in the flow measuring area. The meter location must have a controlled flow measuring area and a full flow of liquid for proper accuracy. Fully opened gate valves, fittings, or other obstructions that tend to set up flow disturbances should be a minimum of ten pipe diameters upstream from the meter. Installations with less than ten pipe diameters of straight pipe require straightening vanes. Meters with straightening vanes require at least five pipe diameters upstream and one pipe diameter downstream.

PROPELLER is magnetically coupled with the drive mechanism through the sealed oil filled gearbox. This completely eliminates water entering the meter assembly, as well as the need for any packing gland. The propeller is a conical shaped three bladed propeller, injection molded of thermoplastic material resistant to normal water corrosion and deformity due to high flow velocities.

BEARING is a water lubricated ceramic sleeve and spindle bearing system with a ceramic/stainless steel spindle. Dual ceramic thrust bearings, standard on all meters handle flows in both forward and reverse directions. The bearing design promotes extended periods of maintenance free propeller operation. Bearings within the sealed meter mechanism are shielded precision stainless steel bearings and are factory lubricated for the life of the meter.

INDICATOR-TOTALIZER is mechanically driven by the meter mechanism and features a full 4" diameter, 250 degree sweep dial with a six digit, straight reading type totalizer and sweep test hand. The indicator drive mechanism is temperature compensated so the indicator will be accurate at all points on the dial when operated between 32° and 140° F. The indicator dial can be furnished in GPM, CFS, MGD or any standard liquid measuring units with choice of standard totalizer measuring units. The bonnet, with padlock hasp, is o-ring sealed to the meter head.

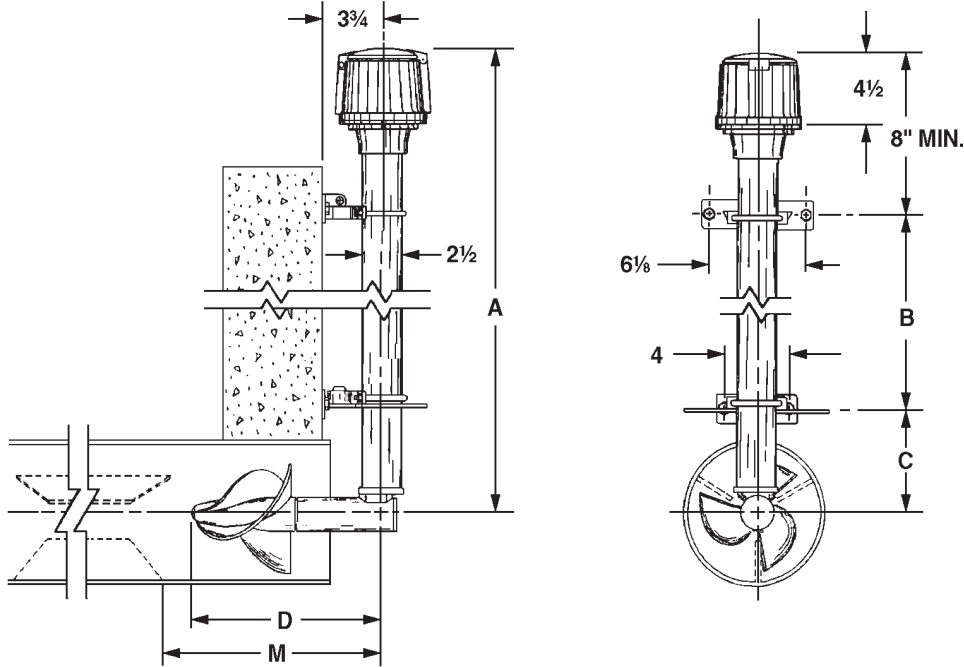
CHANGE GEARS may be easily exchanged in the field when changing the dial, or when recalibrating for different pipe sizes. It is not necessary to remove the meter from the line for these changes.

O-RING SEALS are used at all points where seals are required, making the meter mechanism completely immune to any of the corrosive effects of atmospheric moisture or the liquids measured by the meter assembly.

SPECIFICATIONS

ACCURACY	Plus or minus 2% of actual flow within the range specified for each meter size.
TEMPERATURE RANGE	140° F Maximum. Consult factory for special construction for higher temperatures.
MINIMUM FLOWS	As shown for each meter size and construction are required for accurate registration. See flow chart. NOTE: Minimum flow will be higher on meters with drop pipe lengths over 6' long.
MAXIMUM FLOWS	As shown for each meter size and construction are rated for continuous operation. See flow chart.
INTERMITTENT FLOWS	As shown for each meter size are rated for 10% to 15% of the total time the meter is operating. Consult factory for High Velocity construction when intermittent flows are higher than shown on flow chart and/or when longer operating periods are required.
MATERIALS	Used in construction are chosen to minimize the corrosive effects of the liquids measured by the meter assembly. MAGNETS - permanent ceramic type INTERIOR BEARINGS - shielded stainless steel PROPELLER BEARING - ceramic sleeve type PROPELLER SPINDLE - ceramic coated stainless steel PROPELLER - injection molded thermoplastic GEARBOX - cast bronze SEPARATOR - stainless steel SHAFTS AND BOLTS - stainless steel DROP PIPE - bronze METER HEAD - cast bronze MOUNTING BRACKETS - cast bronze
OPTIONAL EQUIPMENT	A wide range of controls and instruments for indicating, totalizing, and recording flow data for each meter. Special constructions and materials are available upon request.
ORDERING INFO	Must be specified by the customer and includes: "A" dimension (see back of data sheet) Pipe I.D. Minimum & maximum flow ranges Temperature of meter environment Indicator scale and units Totalizer dial units Type of materials and construction, Optional equipment desired

MODEL OF12
OPEN FLOW METER
 SEALED METER MECHANISM - MAGNETIC DRIVE
 INDICATOR-TOTALIZER
 SIZES 10" thru 72"



METER & PIPE SIZE	FLOW RANGES, GPM			DIMENSIONS					SHIPPING WEIGHT POUNDS**
	MIN.	MAX.	INT.	A*	B	C	D	M	
10	300	2000	3000				11½	13½	80
12	400	3000	3500				11½	13½	80
14	500	4000	4500				11½	13½	80
16	600	5000	6000				11½	13½	80
18	800	6000	7500				11½	13½	80
20	900	8000	9000				11½	13½	80
24	1000	10000	13500				11½	13½	80
30	1800	15000	21000				11½	13½	80
36	2000	20000	30000				11½	13½	80
42	3000	30000	40000				11½	13½	80
48	5500	35000	50000				11½	13½	80
54	6500	45000	55000				11½	13½	200
60	7500	60000	80000				11½	13½	200
66	8500	75000	95000				11½	13½	200
86	16000	125000	150000				11½	13½	200

* NOTE: Model OF12 meters are equipped with a 6 foot "A" dim. unless otherwise specified. Minimum flow will be higher on meters with drop pipe lengths over 6' long.
 ** NOTE: Shipping weights are approximate. Actual weight depends upon "A" dim.