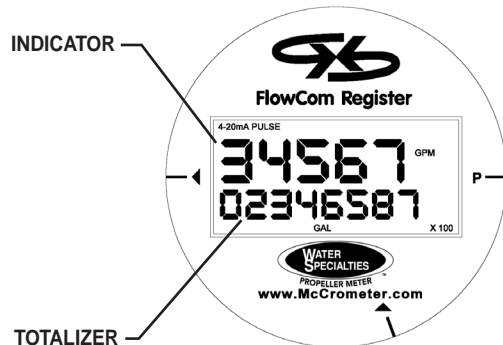




MODEL LP32-D
 150 psi STRAP-ON SADDLE METER
 SOLID STATE ELECTRONIC PROPELLER METER
 STAINLESS STEEL STRAP-ON SADDLE
 DIGITAL INDICATOR-TOTALIZER
 SIZES 6" thru 20"



TYPICAL
 DIGITAL INDICATOR-TOTALIZER



DESCRIPTION

MODEL LP32-D STRAP-ON SADDLE METERS are designed for irrigation or other low pressure service up to 150 PSI working pressure. The stainless steel saddle and u-straps permit installation on a wide range of steel, cast iron, plastic (3/16" PVC wall minimum), asbestos, and other pipe materials for each nominal meter size. It is necessary upon ordering to furnish the I.D. dimension of the pipe the meter is to be mounted on, for calibration purposes. The pipe O.D. dimension or wall thickness must also be furnished for proper sizing of the U-straps.

INSTALLATION is made by cutting a hole in the existing pipe line and then attaching the meter securely to the line. U-straps for attaching the meter saddle to the line are furnished with each meter. The meter can be installed horizontally, or inclined on suction or discharge lines. The meter must have a full flow of liquid for proper accuracy. Fully opened gate valves, fittings, or other obstructions that tend to set up flow disturbances should be a minimum of ten pipe diameters upstream and two pipe diameters downstream from the meter. Installations with less than ten pipe diameters of straight pipe require straightening vanes. Meters with straightening vanes require at least five pipe diameters upstream and two pipe diameters downstream. An optional remote mounting kit with up to 100 feet of cable for the indicator-totalizer is available.

PROPELLER is magnetically coupled with the electronic sensor through the sealed gearbox. This completely eliminates water entering the meter assembly, and eliminates all moving parts except for the propeller. The propeller is a conical shaped three bladed propeller, injection molded of thermoplastic material resistant to normal water corrosion and deformity due to high flow velocities.

BEARING in propeller is a water lubricated ceramic sleeve and spindle bearing system with a ceramic/stainless steel spindle. Dual ceramic thrust bearings, standard on all meters, handle flows in both forward and reverse directions. The bearing design promotes extended periods of maintenance free propeller operation.

DIGITAL INDICATOR-TOTALIZER has a non-volatile EEPROM memory to store totalizer count (updated hourly while running). Features a large two line display. Five digit top line indicates flow rate, and eight digit bottom line provides volumetric flow data. Indicator is available in 22 different units, including GPM, CFS, MGD. Totalizer is available in 20 different units, including Gallons, AF, CF. Units of measurement are user-selectable. Battery life is 6 -10 years. Housing is NEMA 4X rated.

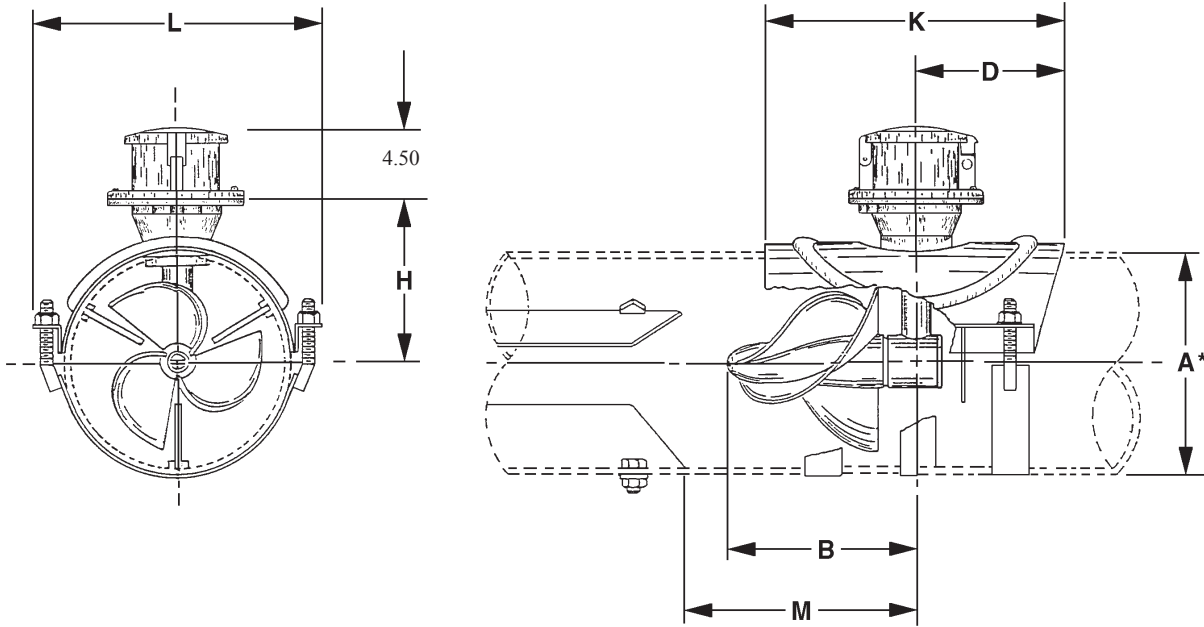
Available with optional 4-20mA and/or pulse output.

SPECIFICATIONS

ACCURACY	Plus or minus 2% of actual flow within the range specified for each meter size.
PRESSURE RANGE	Up to 150 PSI maximum working pressure.
TEMPERATURE RANGE	140° F Maximum. Consult factory for special construction for higher temperatures.
MINIMUM FLOWS	As shown for each meter size and construction are required for accurate registration. See flow chart. NOTE: Minimum flow will be higher when auxiliary equipment is added.
MAXIMUM FLOWS	As shown for each meter size and construction are rated for continuous operation. See flow chart.
INTERMITTENT FLOWS	As shown for each meter size are rated for 10% to 15% of the total time the meter is operating. Consult factory for High Velocity construction when intermittent flows are higher than shown on flow chart and/or when longer operating periods are required.
MATERIALS	Used in construction are chosen to minimize the corrosive effects of the liquids measured by the meter assembly. PROPELLER MAGNET - permanent ceramic type PROPELLER BEARING - ceramic sleeve type PROPELLER SPINDLE - ceramic sleeve/stainless steel PROPELLER - injection molded thermoplastic GEARBOX - cast bronze SEPARATOR - stainless steel BOLTS - stainless steel SADDLE - stainless steel LUG STRIPS - stainless steel U-STRAPS - stainless steel
OPTIONAL EQUIPMENT	Includes a remote mounting kit with up to 100 feet of cable, digital transmitter, and a wide range of controls and instruments for indicating, totalizing, and recording flow data for each meter. Special constructions and materials are available upon request.

ORDERING INFO Must be specified by the customer and includes: minimum & maximum flow ranges, pipe I.D. and O.D. or wall thickness, position of meter (horizontal, inclined), temperature of meter environment, indicator scale and units, totalizer dial units, type of materials and construction, and optional equipment desired.

MODEL LP32-D
 150 psi STRAP-ON SADDLE METER
 SOLID STATE ELECTRONIC PROPELLER METER
 STAINLESS STEEL STRAP-ON SADDLE
 DIGITAL INDICATOR-TOTALIZER
 SIZES 6" thru 20"



METER & PIPE SIZE	FLOW RANGES, GPM			DIMENSIONS							SHIPPING WEIGHT POUNDS
	MIN.	MAX.	INT.	A	B	D	H	K	L	M	
6	200	1200	1500	6 ⁵ / ₈	8	6	5 ¹ / ₄	12	13	10	20
8	250	1500	2000	8 ⁵ / ₈	8	6	6 ¹ / ₄	12	12 ¹ / ₂	10	25
10	300	2000	3000	10 ³ / ₄	8	6	7 ³ / ₈	12	13 ¹ / ₄	10	28
12	350	3000	3500	12 ³ / ₄	8	6	8 ³ / ₈	12	15 ¹ / ₄	10	32
14	450	4000	4500	14	8	6	9 ¹ / ₄	12	15 ¹ / ₂	10	35
16	500	5000	6000	16	8	6	10 ¹ / ₄	12	17 ¹ / ₂	10	38
18	800	6000	7500	18	8	6	11 ¹ / ₄	12	19 ¹ / ₂	10	43
20	950	8000	9000	20	8	6	12 ¹ / ₄	12	21 ¹ / ₂	10	49

* PLEASE SPECIFY PIPE I.D. AND O.D.



www.mccrometer.com

3255 WEST STETSON AVENUE • HEMET, CALIFORNIA 92545 USA
 TEL: 951-652-6811 • FAX: 951-652-3078

Copyright © 2000-2007 McCrometer. All printed material should not be changed or altered without permission of McCrometer. The published technical data and instructions are subject to change without notice. Contact your McCrometer representative for current technical data and instructions.