

RE100-101/K

WIRING

TB2 SENSOR INPUT
TB1 O/C PULSE OUTPUT

| LEFT PIN | RIGHT PIN |
|----------|-----------|
| BLK(-) 1 | RED(+) 2 |
| GRN(-) 1 | WHT(+) 2 |

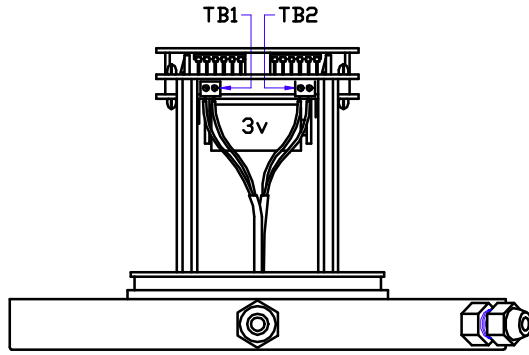


FN: RE100-101_PDF.DWG

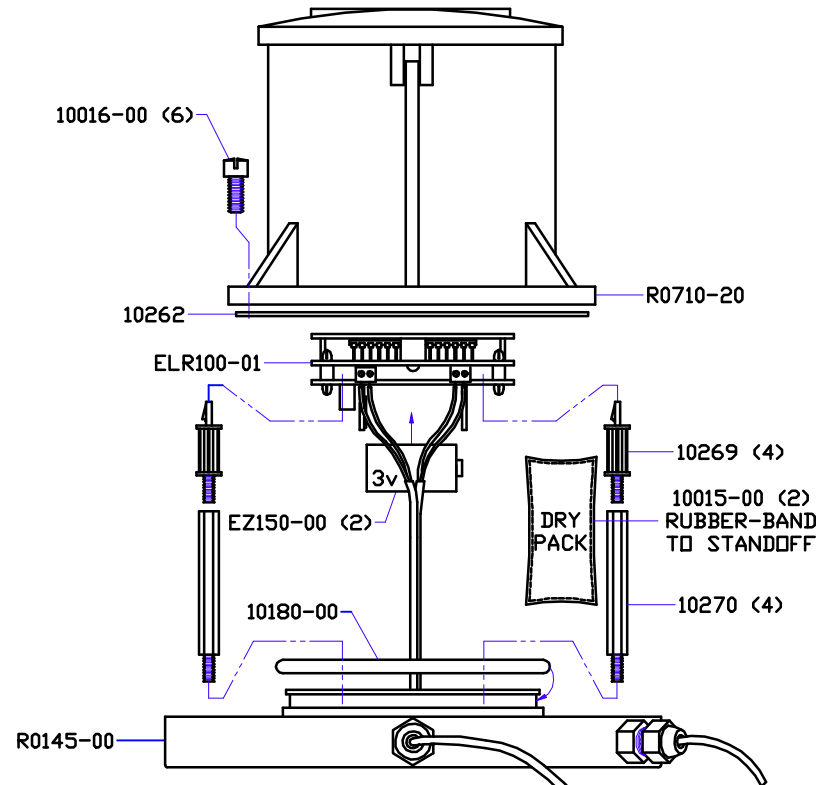
DESC

REGISTER ELECTRONIC ASSEMBLY (REMOTE MOUNT OC OUT)

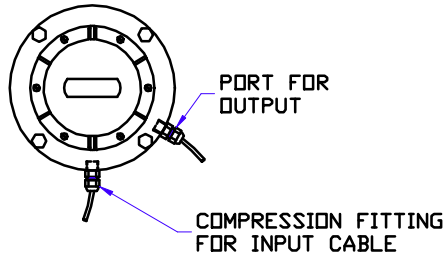
| | | | | | | | |
|----|-----|------|------------|-----|-----|------|------------|
| BY | DTG | DATE | 11-16-1998 | APP | RNP | DATE | 12-23-1998 |
|----|-----|------|------------|-----|-----|------|------------|



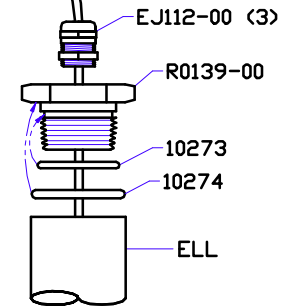
FRONT VIEW



ASSEMBLY VIEW



TOP VIEW



NOTES:

1. ALL DIMENSIONS ARE IN INCHES.
2. DRAWING IS NOT SHOWN TO SCALE.