

RE100-100/K

WIRING

TB2 SENSOR INPUT

LEFT PIN
BLK(-) 1

RIGHT PIN
RED(+) 2



DESC

REGISTER ELECTRONIC ASSEMBLY (REMOTE MOUNT)

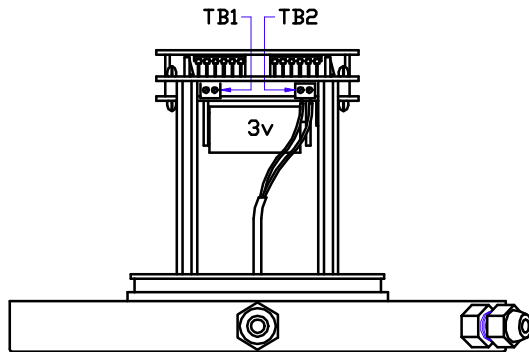
FN: RE100-000_PDF.DWG

BY DTG

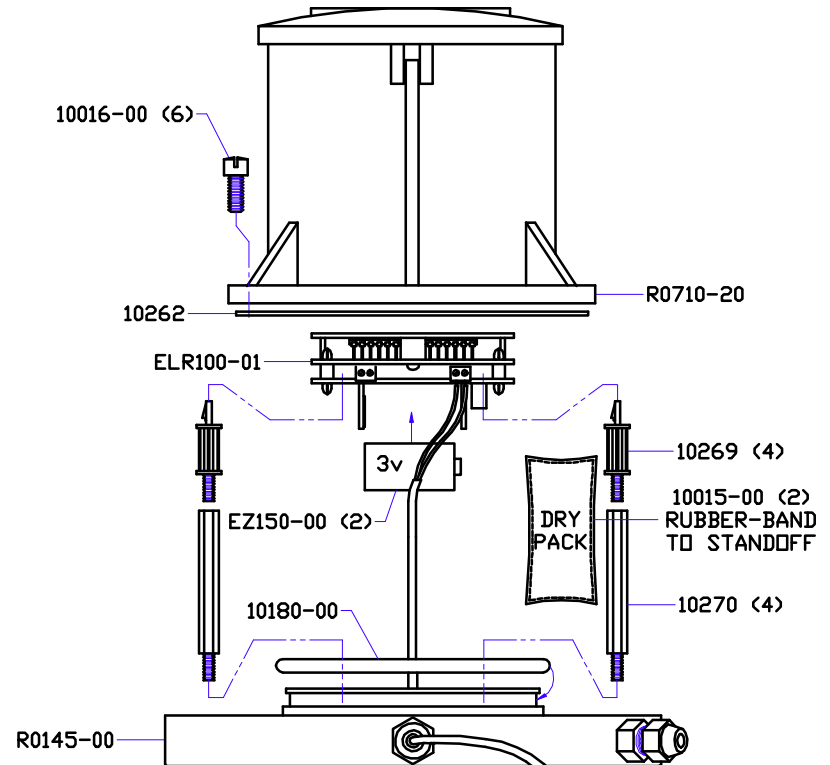
DATE 11-16-1998

APP RNP

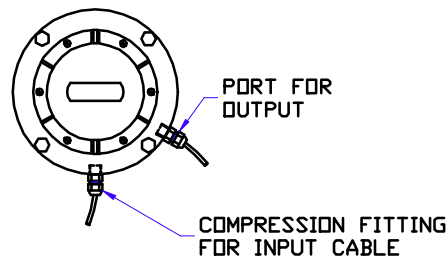
DATE 12-23-1998



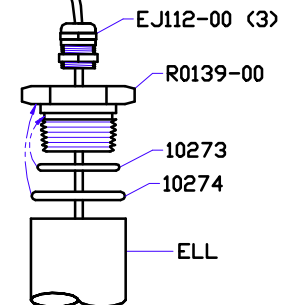
FRONT VIEW



ASSEMBLY VIEW



TOP VIEW



NOTES:

1. ALL DIMENSIONS ARE IN INCHES.
2. DRAWING IS NOT SHOWN TO SCALE.