

RE100-012/K

WIRING

TB2 SENSOR INPUT
 TB3 4-20ma OUTPUT
 TB4 ISO PULSE OUTPUT

LEFT PIN	RIGHT PIN
BLK(-) 1	RED(+) 2
RED(+) +	BLK(-) -
WHT(+)+	GRN(-) -

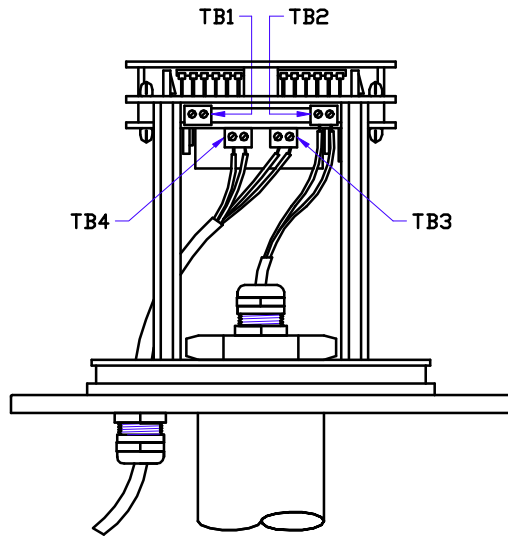


FN: RE100-012_PDF.DWG

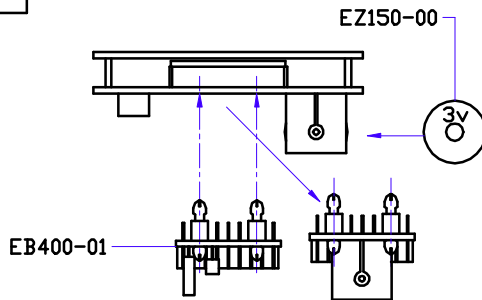
DESC

REGISTER ELECTRONIC ASSEMBLY (METER MOUNT 4-20 OUT)

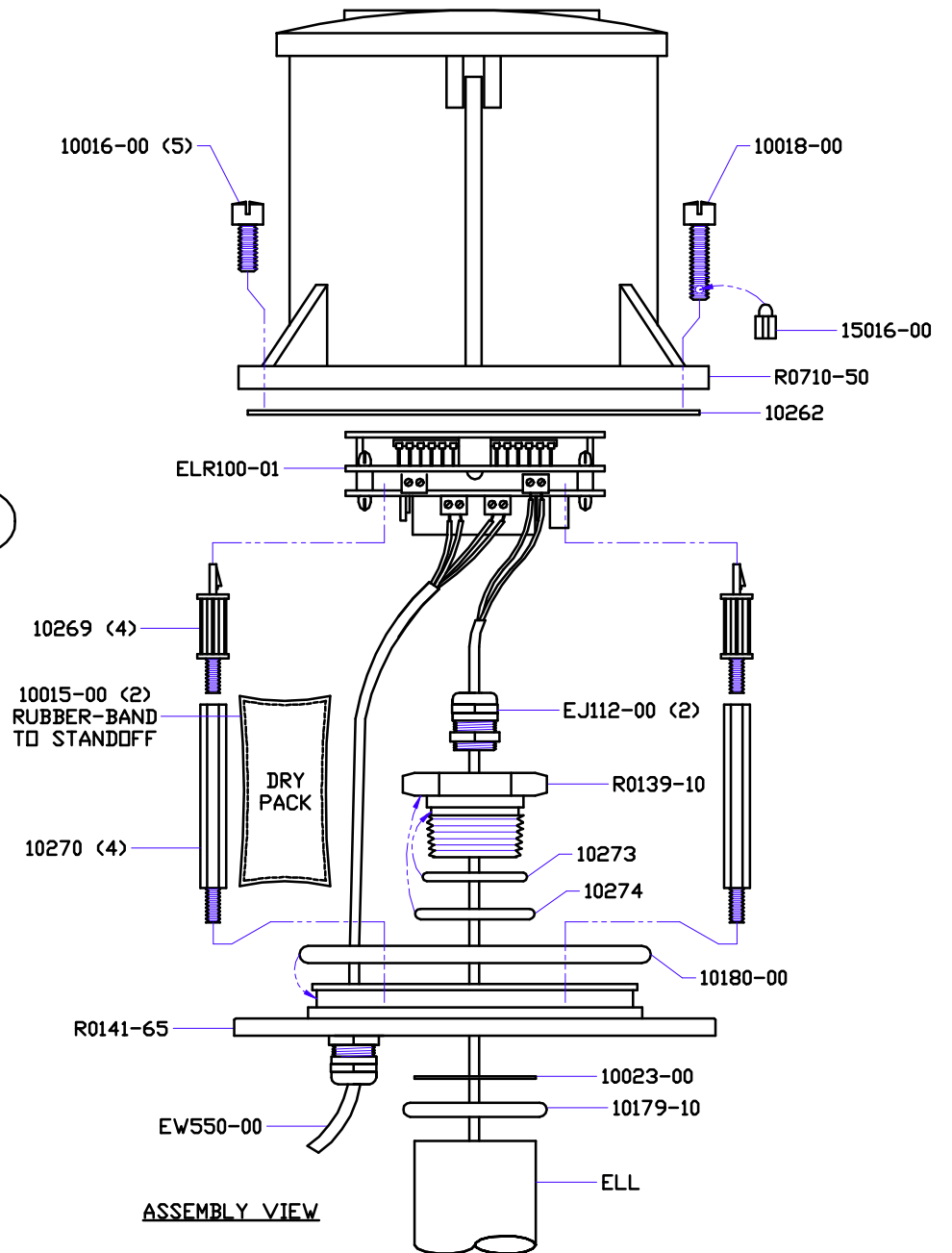
BY	DTG	DATE	11-12-1998	APP	RNP	DATE	8-17-1999
----	-----	------	------------	-----	-----	------	-----------



FRONT VIEW



**SIDE VIEW
 4-20 OUTPUT REGISTER
 ASSEMBLY**



ASSEMBLY VIEW

NOTES:

1. ALL DIMENSIONS ARE IN INCHES.
2. DRAWING IS NOT SHOWN TO SCALE.