

RE100-001/K

WIRING

TB2 SENSOR INPUT
TB1 O/C PULSE OUTPUT

LEFT PIN	RIGHT PIN
BLK(-) 1	RED(+) 2
GRN(-) 1	WHT(+) 2

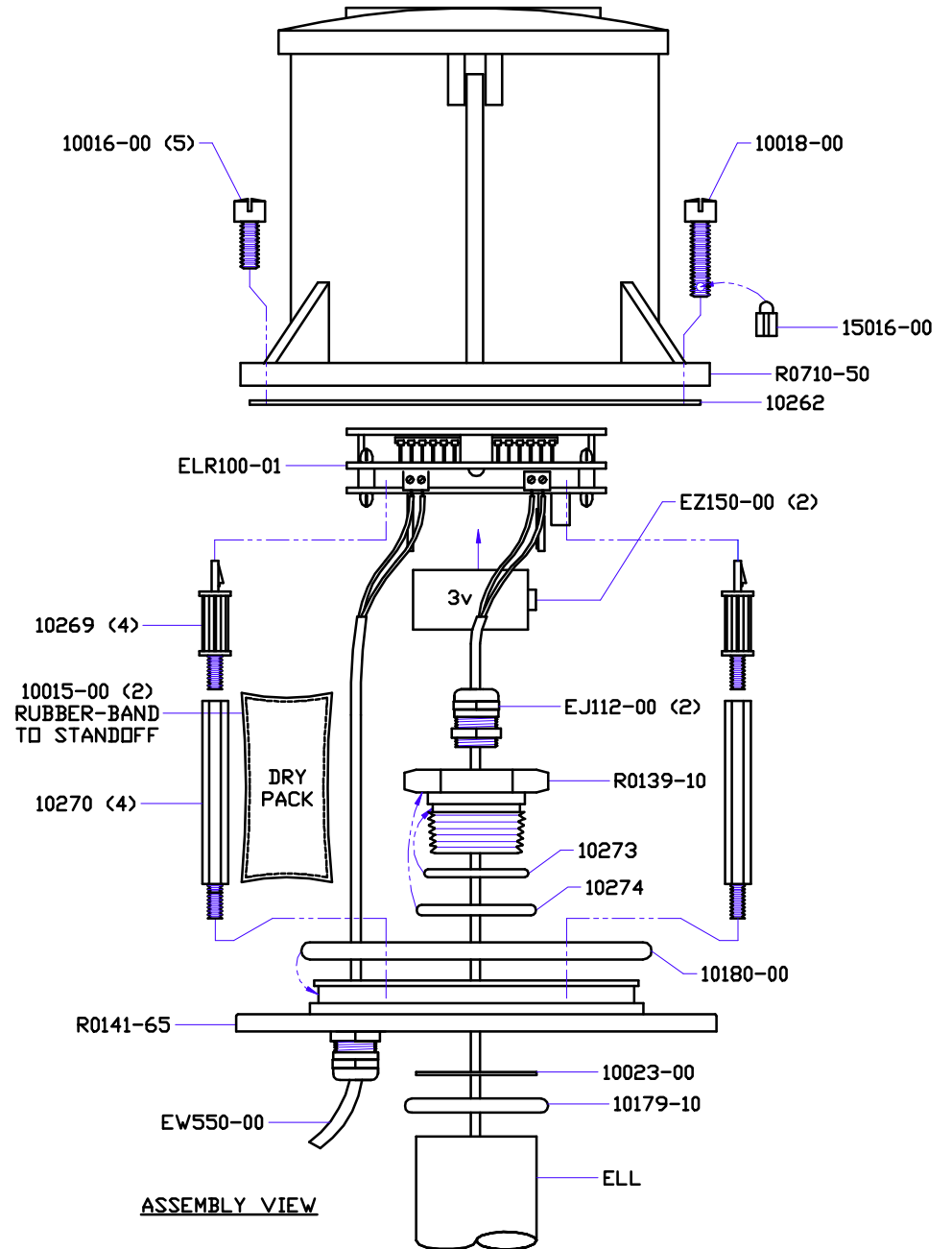
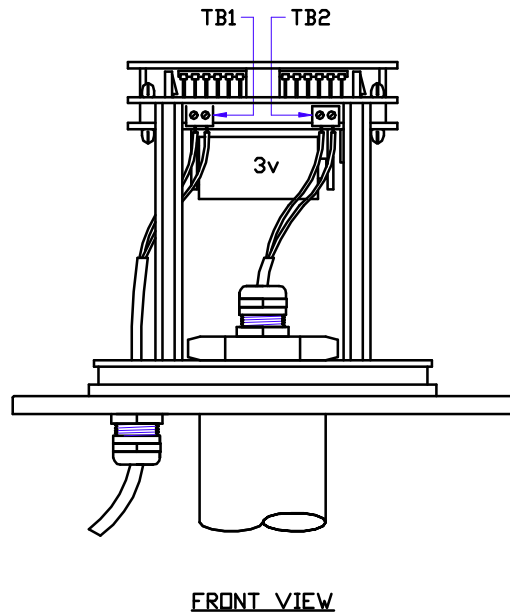


FN: RE100-001_PDF.DWG

DESC

REGISTER ELECTRONIC ASSEMBLY (METER MOUNT OC OUTPUT)

BY	DTG	DATE	11-12-1998	APP	RNP	DATE	8-17-1999
----	-----	------	------------	-----	-----	------	-----------



NOTES:

1. ALL DIMENSIONS ARE IN INCHES.
2. DRAWING IS NOT SHOWN TO SCALE.