

RE100-000/K

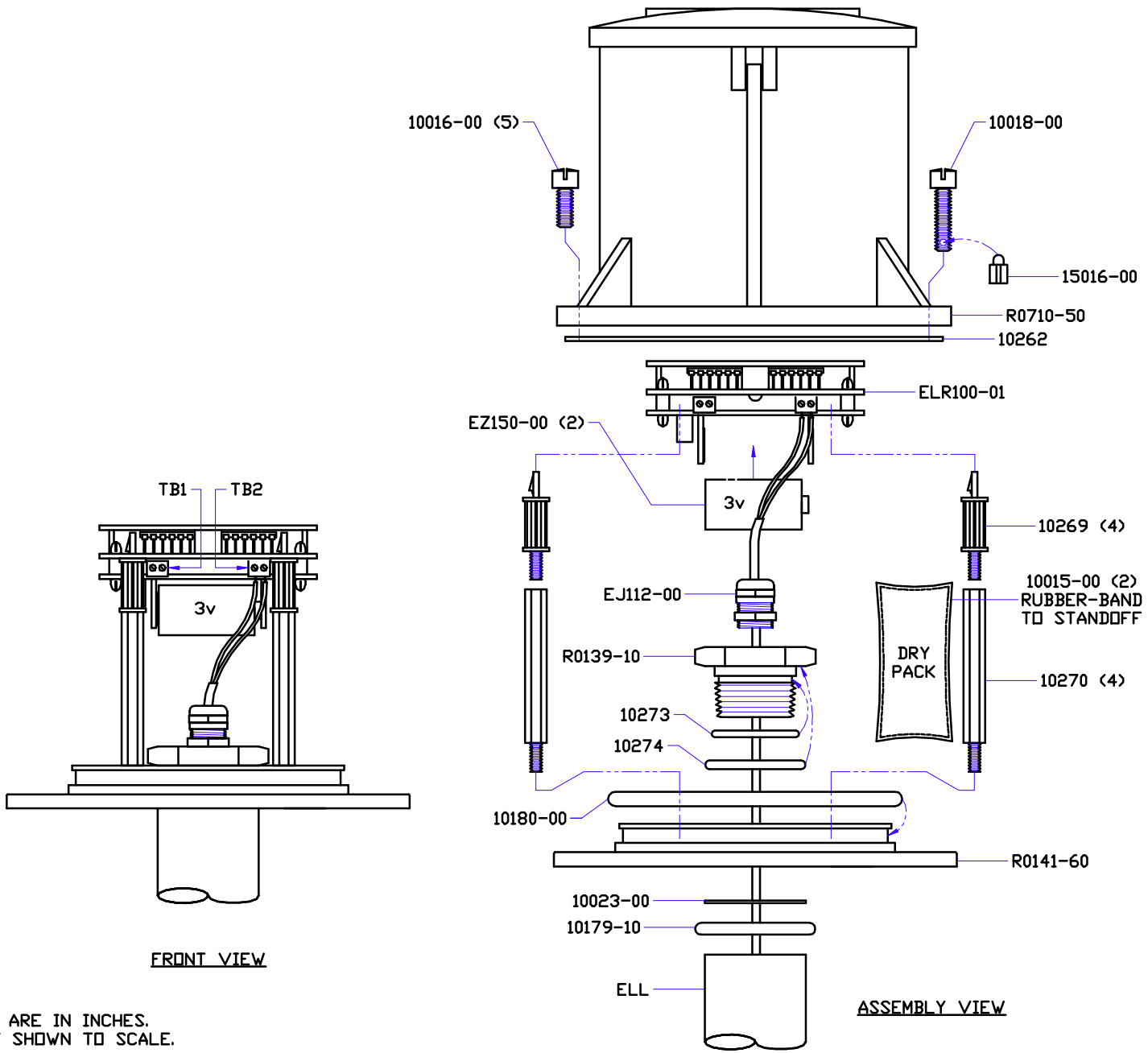
WIRING		
TB2 SENSOR INPUT	LEFT PIN BLK(-) 1	RIGHT PIN RED(+) 2



DESC REGISTER ELECTRONIC ASSEMBLY (METER MOUNT)

FN: RE100-000_PDF.DWG

BY	DTG	DATE	10-29-1998	APP	RNP	DATE	8-17-1999
----	-----	------	------------	-----	-----	------	-----------



FRONT VIEW

ASSEMBLY VIEW

NOTES:

1. ALL DIMENSIONS ARE IN INCHES.
2. DRAWING IS NOT SHOWN TO SCALE.