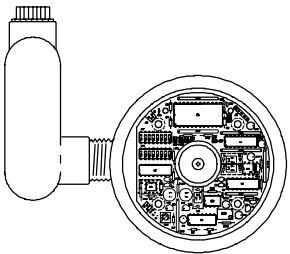


Specification Sheet

Model: E8000	Description: Two-Wire 4-20 mA Transmitter	Document #: 24527-16	Rev: 1.2	Date: 02/05
------------------------	---	--------------------------------	--------------------	-----------------------



Features:

- ◆ Industry standard 2-wire dual 4-20 mA Forward-Reverse output
- ◆ Output is linear with flowrate
- ◆ Compatible with all McCrometer propeller meters with a mechanical register
- ◆ Installation can be accomplished without meter removal from pipe
- ◆ Compatible with all meter sizes
- ◆ Signal can travel up to 5000 feet
- ◆ Additional pulse output options

E 8 0 0 0 - 0 0 x

Pulse Output

- 0 - None
- 1 - Dry Contact
- 2 - Open Collector

E8000 Model:	4-20 mA Output (Forward/Reverse)	Dry Contact (Forward***)	Open Collector (Forward***)
E8000-000	•		
E8000-001	•	•	
E8000-002	•		•

Electrical Characteristics:

4-20 mA Dual Outputs:

Operating Temperature:	+25 to +130 degrees F
Supply Voltage:	16 - 40 VDC
Temperature Coefficient:	±1.0%
Linearity:	0.1%
Accuracy:	0.5% over the entire range
Maximum Resistive Load:	Supply Voltage Dependent*
Reverse Voltage Protection:	-300V Maximum

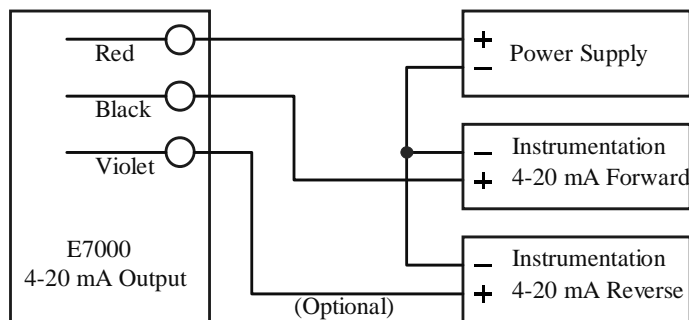
Dry Contact Output:**

Type:	Relay Contact, Norm. Open
Rated Load (AC):	0.5 A at 125 VAC
Rated Load (DC):	1 A at 30 VDC
Max. Operating Current:	1 A
Max. Switching Power:	30 W, 62.5 VA
Contact Closure Duration:	20 milliseconds
Max. Clicks per Minute:	10

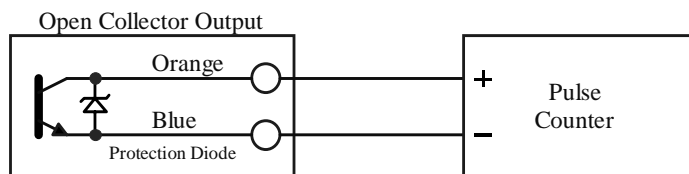
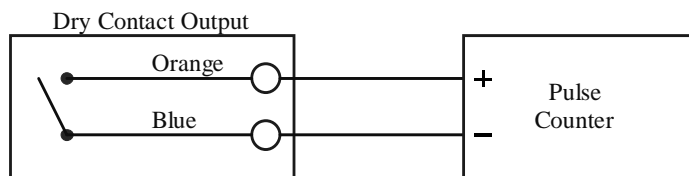
Open Collector Output:**

Type:	NPN Darlington, Isolated
Isolation Voltage:	5000 VAC
Collector to Emitter Voltage:	40 VDC Maximum
Collector Current:	200 mA Maximum
Pulse Output Duration:	20 milliseconds
Max. Pulses per Minute:	350

Typical Wiring Diagrams:



Note: The Forward loop must be connected at all times for the transmitter to operate. Reverse loop can be left unconnected.



* - Use formula (Supply Voltage - 16) ÷ 0.02 = Maximum Load(Ω)
 ** - Totalizer output operates only when power is applied to the Forward 4-20 mA loop.
 *** - Totalizer output operates only in forward direction unless ordered otherwise.

McCrometer reserves the right to change the Specification without notice.

