

INSTALLATION INSTRUCTIONS Model L0780 Register Extension

DESCRIPTION

The L0780 Register Extension provides a means for relocating a McCrometer Propeller Flow Meter register to a height that improves access and protection of the register.

The L0780 Register Extension extends the register up from the top of the flow meter to a maximum height of 120'. The extension pipe material is 1" Schedule 80, 304 stainless steel. The extension is provided as a kit, including drive cable and sealing hardware. All McCrometer flow meters can utilize the extension. The existing meter base plate, register and register canopy are reused.

PARTS LIST - Figure 1

P/N	Description	Qty	Illustration No.
D0099-00	Flexible Drive Cable	As Required	1
D0301-00	Liner	As Required	2
10023-00	Gasket, PVC	2	3
D0372-00	Liner Stop	1	4
*L0779-99	Extension	1	5
*L0779-99	Ball Bearing Assembly	1	6
*L0779-99	Coupling	1	7
D0371-00	Cable Guide	1	8
-----	Extension Pipe	As Required	9

*L0779-99 is a factory assembled part

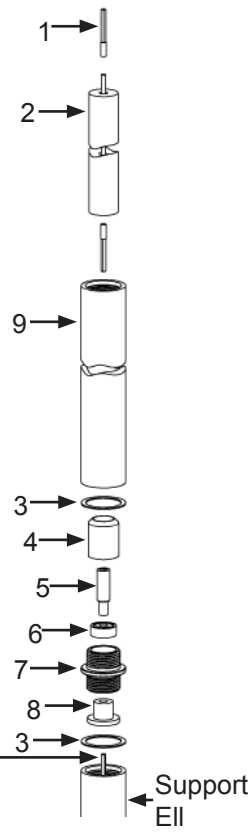


Figure 1

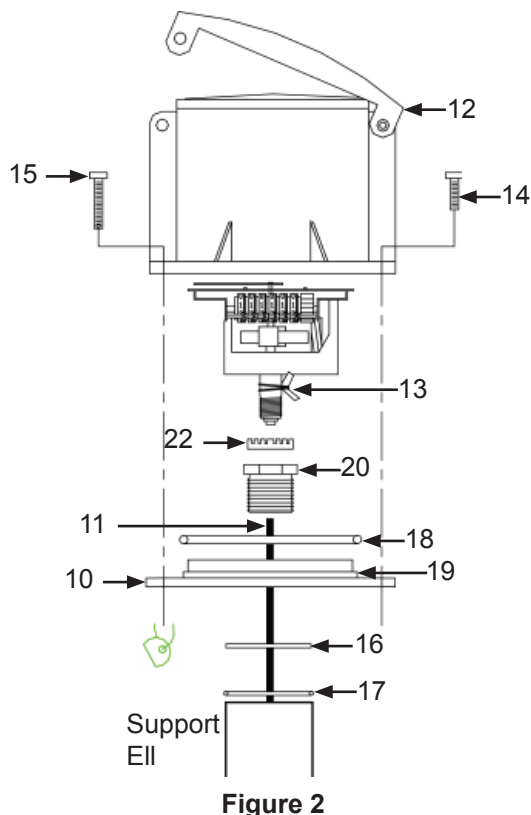


Figure 2

INSTALLATION INSTRUCTIONS

REMOVE THE CANOPY AND BASE PLATE COMPONENTS - Figure 2

Step 1) Remove the canopy screws (14 & 15) and pull the canopy (12) off of the base plate (10). Loosen the PAL nut (22) and remove the register. Do not remove the flexible drive cable (11).

Step 2) remove the hex bushing (20), base plate (10), base plate gasket (16), base plate lower o-ring (17), base plate upper o-ring (18) and canopy-to-base plate flat gasket (19).

All of these components will be reinstalled onto the top of the register extension. It is recommended that the desiccant pack (13) be replaced with a new one any time the canopy is removed.

**INSTALL THE EXTENSION COUPLING ASSEMBLY -
Figure 3**

Step 3) **NOTE: Items 5, 6 and 7 are assembled at the factory.**

Ensure the lower flexible drive cable (11) is engaged with the propeller by spinning the propeller to verify the operation of the cable. Set the cable guide (8) onto the flexible drive cable. Place a PVC gasket (3) onto the lower part of the coupling (7) and engage the coupling assembly with the flexible drive cable.

Screw the coupling assembly into the support ell. Spin the propeller to verify that the extension (5) is driven by the cable.

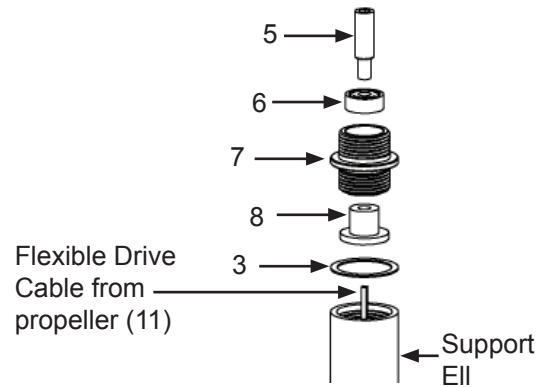


Figure 3

**INSTALL THE REGISTER EXTENSION PIPE -
Figure 4 and Figure 5**

Step 4) Set the liner stop (4) over the extension (5). Set the second PVC gasket (3) onto the coupling. Screw the extension pipe (9) onto the coupling and tighten.

NOTE: The coupling will be tightened into the support ell at the same time. Be careful not to tighten the extension pipe too much or it will damage the PVC gaskets.

Step 5) Slide the cable liner (2) down the extension pipe, then the flexible drive cable (1). Turn the propeller to verify that the flexible drive cable is properly engaged.

Figure 4

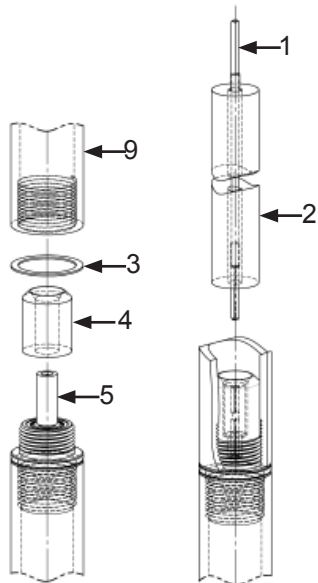


Figure 5

**REINSTALL THE BASE PLATE, REGISTER AND CANOPY -
Figure 6**

Step 6) Set the base plate gasket (16) and base plate lower o-ring (17) into the bottom of the base plate. Push the base plate onto the register extension pipe (9) and secure the base plate with the hex bushing (20).

NOTE: Align the canopy holes in the base plate as needed before tightening.

NOTE: Do not over-tighten the hex bushing or the coupling gaskets (3, Figure 1) could be damaged.

Step 7) Engage the register with the flexible drive cable (1) and screw the register on the hex bushing (20) as far as it will go. Stop turning the register if it can be felt bottoming out on the flexible drive cable, and reverse it one or two turns. Secure the register in place with the PAL nut (22). Spin the propeller to verify operation of the register.

Step 8) Secure the desiccant pack (13) onto the register as shown. Be sure it is clear of any moving register parts. Replace the canopy-to-base plate gasket (19) and base plate upper o-ring (18). Set the canopy onto the base plate and secure it with the screws provided (14 & 15).

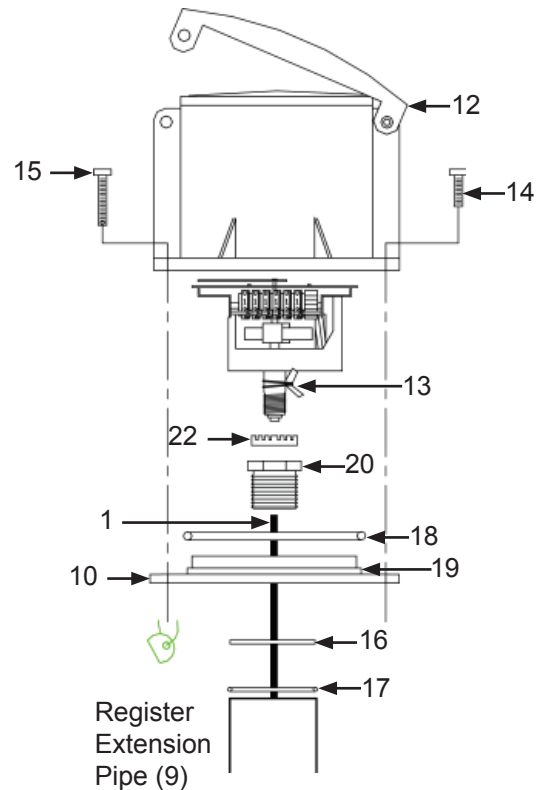


Figure 6