



MODEL EA631

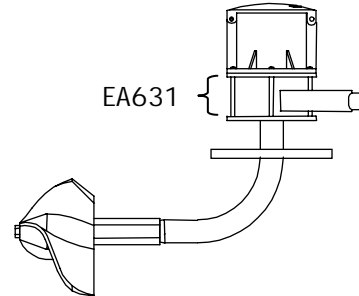
CONFIGURATION SHEET
ELECTRONIC PULSE TRANSMITTER

DESCRIPTION

The EA631 Electronic Pulse Transmitter is a wafer-style transmitter that mounts directly below the mechanical register of any McCrometer propeller flow meter. The transmitter produces an output pulse frequency that is linear with flow rate and can be connected to flow computers, digital counters, Programmable Logic Controllers (PLCs), and computerized data acquisition systems. The EA631 installation does not require removal of the flow meter and can be done under flowing conditions.

SPECIFICATIONS

- SUPPLY VOLTAGE: 5 to 30 VDC
- SUPPLY CURRENT: 25 mA, without load
- OUTPUT TYPE: **EA631-0xx** CMOS logic pulse (square wave)
EA631-1xx Sink to ground (NPN)
- OUTPUT CURRENT: **EA631-0xx** 12 volts DC, 50 mA
EA631-1xx 30 volts DC, 50 mA
- OUTPUT PULSE DURATION: Varies with flow rate
- OUTPUT PULSE SCALING: 1 to 10 pulses per propeller revolution
- SIGNAL DISTANCE: 500 Feet max.



PULSE RATE CHART

The EA631 can produce from 1 to 10 pulses per propeller revolution (specified at time of order.) The chart below provides representative **Full Scale Pulse Rates Per Minute** and **Volume Per Pulse** as an example only – your EA631 may produce different values.

} **1500** First line indicates Pulses Per Minute at Full Scale
} **.167** Second line indicates Volume Per Pulse (gallons)

Meter Size	NUMBER OF HOLES IN THE TRANSMITTER DISK									
	1	2	3	4	5	6	7	8	9	10
3"	1500 .167	3000 .083	4500 .056	6000 .042	7500 .033	9000 .028	10500 .024	12000 .021	13500 .019	15000 .017
4"	1600 .500	3200 .250	4800 .167	6400 .125	8000 .100	9600 .083	11200 .071	12800 .063	14400 .056	16000 .050
6"	878 1.482	1755 .741	2633 .494	3510 .370	4388 .296	5265 .247	6143 .212	7020 .185	7898 .165	8775 .148
8"	1000 2.500	2000 1.250	3000 .833	4000 .625	5000 .500	6000 .417	7000 .357	8000 .313	9000 .278	10000 .250
10"	780 3.846	1560 1.923	2340 1.282	3120 .962	3900 .769	4680 .641	5460 .550	6240 .481	7020 .427	7800 .385
12"	640 6.250	1280 3.125	1920 2.083	2560 1.563	3200 1.250	3840 1.042	4480 .893	5120 .781	5760 .694	6400 .625
14"	780 7.692	1560 3.846	2340 2.564	3120 1.923	3900 1.539	4680 1.282	5460 1.100	6240 .962	7020 .858	7800 .769
16"	780 10.256	1560 5.128	2340 3.419	3120 2.564	3900 2.051	4680 1.709	5460 1.465	6240 1.282	7020 1.140	7800 1.030
18"	475 21.052	950 10.526	1425 7.018	1900 5.263	2375 4.210	2850 3.509	3325 3.008	3800 2.632	4275 2.339	4750 2.105



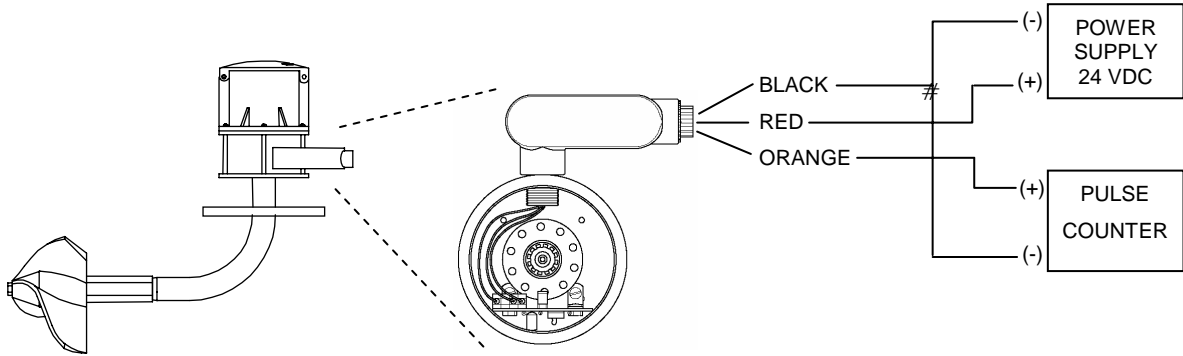
3255 West Stetson Avenue
Hemet, CA 92545 USA
951-652-6811 / FAX 951-652-3078
e-mail: info@mccrometer.com
Web Site: www.mccrometer.com



MODEL EA631

CONFIGURATION SHEET
ELECTRONIC PULSE TRANSMITTER

WIRING DIAGRAM



For EA630 Replacement:
Remove the connector from existing output cable. Wire directly to headers on new board.

ORDERING INFORMATION

MODEL #	INSTALLATION	OUTPUT TYPE
EA631-0xx*	Meter Mount	CMOS Logic
EA631-1xx*	Meter Mount	Sink to Ground
Change the dash number ("xx") to indicate the number of pulses per revolution: <i>Examples:</i> EA631-110 Sink to Ground (NPN), 10-hole disk EA631-002 CMOS Logic, 2-hole disk Please provide the flow meter serial number when ordering.		
ACCESSORIES		
MODEL #	DESCRIPTION	
ET424-10	Plug-in Power Supply, 24 VDC, 125 mA, Unregulated	
ET424-20	Panel-Mount Power Supply, 24 VDC, 100 mA, Regulated	
ET424-30	ET424-20 Power Supply in NEMA 4X Enclosure	
EA401-00	Flow Computer, Pulse Input, AC Powered, LED Display	
R0143-00	Canopy and Base Plate Kit (required on meters with flat steel base plate) Replaces obsolete or damaged canopy and base plate components	

 **McCROMETER**
 The Flow Measurement Specialists
 3255 West Stetson Avenue
 Hemet, CA 92545 USA
 951-652-6811 / FAX 951-652-3078
 e-mail: info@mccrometer.com
 Web Site: www.mccrometer.com

©2005 by McCrometer/Printed in USA
 Lit #24509-94 Rev. 1.2/03-05