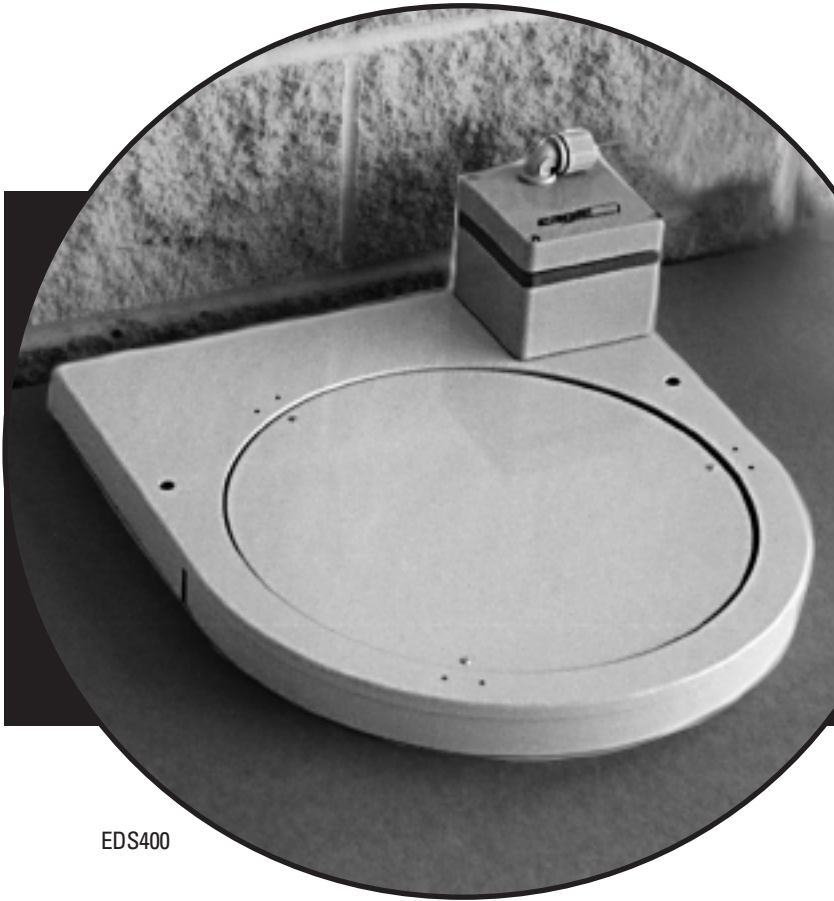


EDS/MDS400

Drum Scales



EDS400

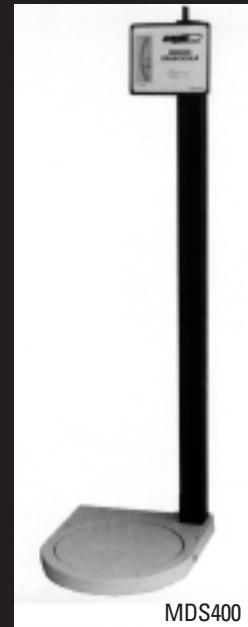
The Eagle Microsystems EDS/MDS400 is a high quality, high accuracy single platform scale for weighing liquified gas cylinders, or drums or carboys up to 30 gallons with a diameter of 15 inches or less and weighing up to 400 lbs (182 kg). The scale is designed for the demanding environment of water and wastewater treatment facilities. The base is constructed of PVC, and only stainless steel hardware is used to assure long and reliable service in this corrosive environment. The use of a time-proven three-beam support for weighing means that the position of the container is not critical. Consequently the scale can be used for solids as well as liquids and liquified gases. The unit is available in either an electronic version (EDS400) or a mechanical version (MDS400) requiring no local power.

System Features

- Corrosion-proof, impact resistant PVC base with stainless steel hardware
- 15-inch diameter weighing surface
- 5 year warranty on scale base
- High accuracy - 0.25% FS electronic
0.5% FS mechanical
- Capacity up to 400 lbs (181 Kg)
- Precision, stainless steel, strain gage load cells (EDS400 only)

Typical Applications

- Liquified gas cylinders such as chlorine, sulfur dioxide and carbon dioxide
- Carboys and small drums (up to 30 gallon)



MDS400

EDS/MDS400

Your Source for Precision Process Solutions

eagle
MICROSYSTEMS

EDS/MDS400

Drum Scales

Product Specification

EDS400 Electronic Scale	
System Accuracy	0.25% FS
Display Resolution	Selectable 0.2, 0.5 or 1.0 lbs.
Display	6-digit, 0.56" red LED
Power Required	110-130 Vac, 50/60 Hz, 1 phase
Analog Output	4-20 mAdc
Rated Capacity	400 lbs / 181 kg
Safe Overload	600 lbs / 273 kg
Shipping Weight	26 lbs.
Cable	15 ft., 4 conductor supplied
Options	
Serial Output	RS232, RS485
Dual Alarm Relays	Solid state, 250 Vac, 1.3 Amps
	Solid State, 400 Vdc, 1.3 Amps
DCB302 Cylinder Support bracket & safety chains	
<i>Specification above applies when scale is used with Eagle Microsystems Model EI-1000 or EI-2000 weight indicators.</i>	

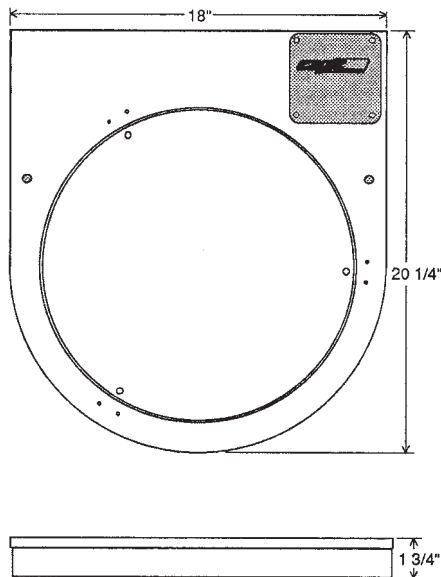
EDS400

This all-electronic scale uses a single stainless steel, strain gage load cell. The scale electronics and load cell are mounted on top of the scale platform, away from most sources of corrosion, in a NEMA 4X fiberglass enclosure insuring full-time integrity of the weighing system.

Because the scale has no long support column, which traditionally housed cables or rods to transmit load to the cells, deflection errors are completely eliminated.

The EDS400 is supplied with 15 feet of 4-conductor cable and an EI-1000 Single Channel Digital Display/Transmitter suitable for local surface mounting.

Refer to Product Data Sheet EI-1000/2000 for technical details and additional capabilities of the EI-1000 instrument.



EDS400 Dimensions

MDS400 Mechanical Scale	
Scale Accuracy	0.5% FS
Scale Range	0-150 lbs (Net)
Scale Divisions	150
Scale Resolution	1 lb
Tare Adjustment Range	45-145 lbs
Rated Capacity	400 lbs / 181 kg
Safe Overload Capacity	600 lbs / 273 kg
Shipping Weight	44 lbs
<i>Mechanical analog indicator is mounted on a self-contained 2-inch square, 5-foot high post.</i>	
<i>Cylinder safety chains supplied as standard.</i>	

MDS400

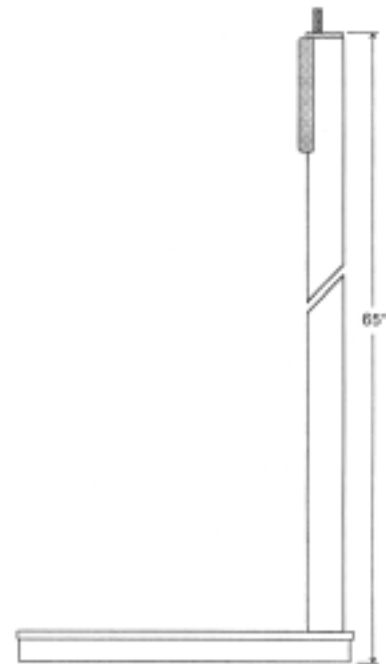
Designed with time-proven mechanical link construction this scale will provide reliable service when subjected to the rigors of highly corrosive chemical handling environments. Like the EDS400, this scale uses an all PVC base and stainless steel hardware.

This accurate mechanical scale provides a scale range of 0-150 lbs. to an accuracy of 0.5% of full scale with a maximum capacity of 400 lbs and an adjustable tare range up to 145 lbs.

Ordering Information

Customer must specify:

- Scale model number (electronic or manual)
- Scale range and graduations (lbs or kg)
- Desired Options



MDS400 Dimensions